

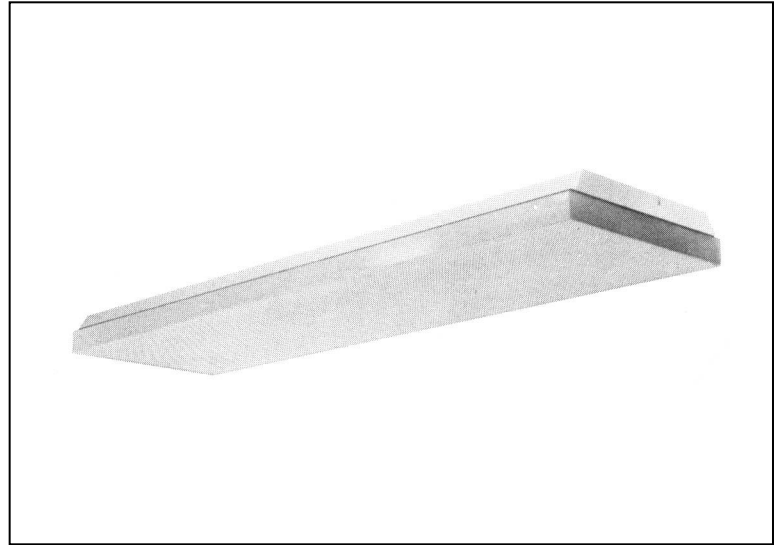
# DOMINAIRE II **WB SERIES 332**

Page 1 of 2

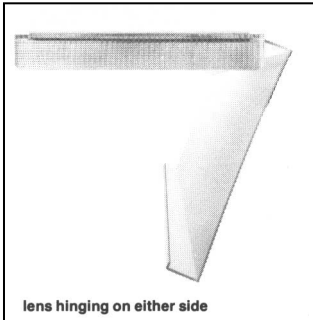
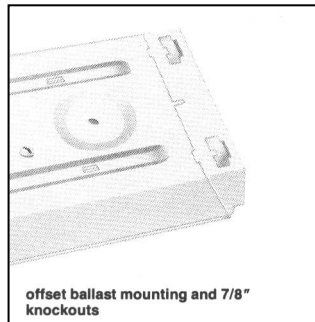
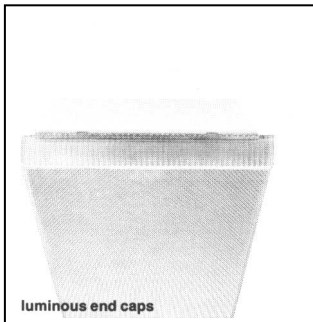
SURFACE WRAPAROUND FLUORESCENT, 14" WIDE x 2 5/8" DEEP x 48" LENGTH  
3 LAMP, T8 OR T12

## Features

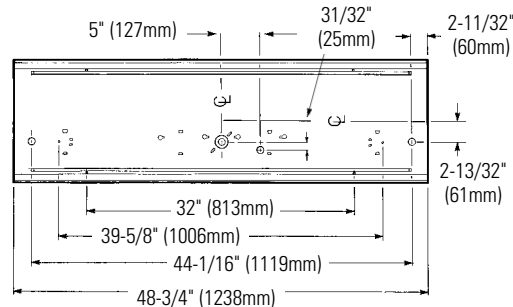
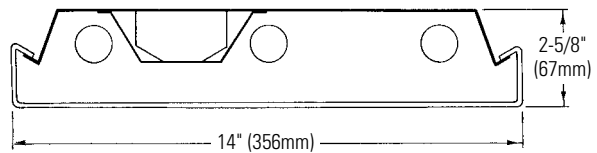
- Step back housing for an apparent depth of 1 1/2".
- Completely assembled with setup ends to lamp holders.
- Only 3" total depth.
- Prismatic virgin acrylic lens – 14" wide.
- Efficiency 75.4%.
- Luminous catadioptric end caps.
- Two side self-leveling lens hinging.
- Zip-clip flush mount on T-grid ceilings.
- Off center 7/8" K.O. for flush mount to T-grid ceiling.
- Optional UL-Listed low density mounting spacers.



## Features



## Dimensions



## Job Information

## Type:

**Job Name:**

**Cat. No.:**

**Lamp(s):**

**Volts/Ballast:**

Lightolier a Genlyte Thomas Company

www.lightolier.com

Technical Information: (978) 657-7600 • Fax (978) 658-0595

631 Airport Road, Fall River, MA 02720 • (508) 679-8131 • Fax (508) 674-4710

We reserve the right to change details of design, materials and finish.

© 2002 Genlyte Thomas Group LLC (Lightolier Division) A0303

Section 3A/Folio H90-14 Rev. A

**LIGHTOLIER**<sup>®</sup>

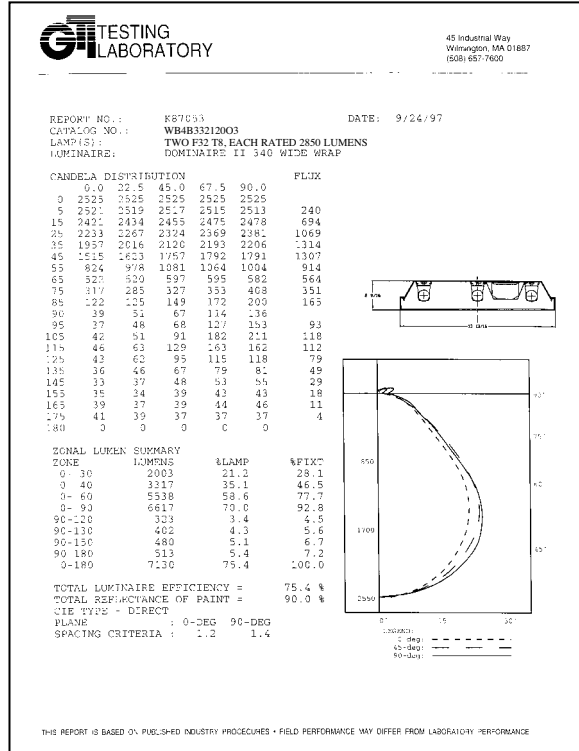
# DOMINAIRE II WB SERIES 332

**Photometry**

**Model No. WB4B33212003**

LER = FS - 65.0 Watts - 84.4 BF - 0.87

Comparative yearly lighting energy cost per 1000 lumens = \$3.69



**coefficients of utilization — zonal cavity method**

room cavity ratio	20			20			20		
	RF	RC	RW	RF	RC	RW	RF	RC	RW
1	82	78	76	72	70	68	68	67	65
2	75	70	65	64	61	58	61	58	56
3	69	62	57	58	53	50	55	51	48
4	64	56	50	52	47	43	50	45	42
5	59	50	43	46	41	37	44	40	37
6	54	45	38	42	37	33	40	36	32
7	50	40	34	38	33	29	36	32	28
8	46	36	30	34	29	25	33	28	25
9	42	32	26	31	25	22	29	25	21
10	39	29	24	28	23	19	27	22	19

**visual comfort probability (VCP) average 100 fc; reflectances 80/50/20**

room size	ceiling height	ceiling height			
		8.5	10.0	13.0	16.0
20	20	60	65	72	77
20	30	53	57	63	68
20	40	49	52	57	61
20	60	46	49	52	56
30	20	61	65	71	76
30	30	54	57	61	66
30	40	50	52	55	59
30	60	46	48	50	53
30	80	43	46	47	50
40	20	63	67	71	76
40	30	55	58	62	66
40	40	51	53	56	59
40	60	47	49	50	53
40	80	44	46	47	50
40	100	43	44	45	47
60	30	57	60	62	66
60	40	52	54	56	59
60	60	48	50	50	53
60	80	45	47	47	49
60	100	43	45	45	47
100	40	56	57	58	61
100	60	51	52	52	55
100	80	48	49	49	51
100	100	46	47	46	48

**Ordering Information Explanation of Catalog Number. Example: WB4B33212003GLR**

<b>WB</b>	<b>4</b>	<b>B</b>	<b>3</b>				
<b>DOMINAIRE II:</b> Surface Wrap Fluorescent With White Body	<b>FIXTURE LENGTH:</b> 4=4' Length	<b>FIXTURE WIDTH:</b> B=14" Wide	<b>LAMP QUANTITY</b> 3=3 Lamp	<b>LAMP</b> 32 =T8 Lamp 34 =T12 Lamp	<b>VOLTAGE:</b> 120 or 277	<b>BALLAST TYPE:</b> 1 & 2 Lamp Mag. T12 LE <20THD S0* HI* O3* H3*	<b>OPTIONS:</b> Add appropriate suffix to catalog no., ie: (GLR)

**Options/Accessories**

**NOTE:** 3 lamp fixtures are not recommended for stem mounting.  
**CANOPY SPACER:** Spacer suspends fixture approximately 1 1/2" from surface. Order Catalog Number: **AC1 CSP**.  
**ELECTRICAL/WIRING OPTIONS:** Consult factory.  
**FUSING:** Internal fast-blow fusing. SUFFIX: **GLR**.  
 Internal slow-blow fusing. SUFFIX: **GMF**.

**Specifications**

**PERFORMANCE:** In an installation of 3 lamp 40W luminaires in a room cavity ratio of 1, with reflectance of 80% ceiling, 50% wall, 20% floor, the C.U. shall not be less than .78. To reduce glare the VCP shall be not less than 48 either lengthwise or crosswise (at 100fc level) and the average brightness at 65° shall not exceed 760 footlamberts. To prevent veiling reflections, luminaire output in the 30°-90° zone shall not be less than 64.7%.

**MATERIALS:** Chassis parts are die-formed code gauge cold rolled steel.  
**FINISH:** Chassis exterior—white baked polyester enamel. Cavity— white baked polyester enamel minimum 86% reflectance. Phosphate undercoating.

**Specifications (continued)**

**LENS:** One-piece extruded virgin acrylic prismatic bottom and side walls.  
**END CAPS:** Injection molded catadioptric end caps separate from lens.  
**ELECTRICAL:** Thermally protected class "P" ballast C.B.M. approved, non PCB. If K.O. is within 3" of ballast, use wire suitable for at least 90°.  
**LABELS:** I.B.E.W. UL and ULc Listed.

**Job Information Type:**

**Lightolier** a Genlyte Thomas Company [www.lightolier.com](http://www.lightolier.com)  
 Technical Information: (978) 657-7600 • Fax (978) 658-0595  
 631 Airport Road, Fall River, MA 02720 • (508) 679-8131 • Fax (508) 674-4710  
 We reserve the right to change details of design, materials and finish.  
 © 2002 Genlyte Thomas Group LLC (Lightolier Division) A0303  
**Section 3A/Folio H90-14 Rev. A**

**LIGHTOLIER**